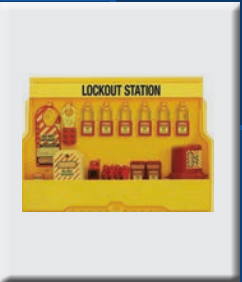


# PROFESSIONAL GRADE INDUSTRIAL SAFETY SUPPLIES



# SUPERIOR TOOL RENTAL & REPAIR



# OSHA TOP

## Workplace Safety Violations of FY 2022

### Fall Protection - General

Total Violations: 5,260 (1926.501)



### Hazard Communication

Total Violations: 2,424 (1910.1200)



### Respiratory Protection

Total Violations: 2,185 (1910.134)



### Ladders

Total Violations: 2,143 (1926.1053)



### Scaffolding

Total Violations: 2,058 (1926.451)



### Lockout/Tagout

Total Violations: 1,977 (1910.147)



### PPE - Eye/Face Protection

Total Violations: 1,401 (1926.102)



**Beamer® 2000 Fall Arrest Anchor**

#GF-00102



**Beamer® BBC Fall Arrest Anchor**

#GF-00130



**Halo Web SRL, 20' 30', Galvanized Steel Snap Hook**

#GF-10910 20 ft  
#GF-10915 30 ft



**Halo Cable SRL-LE, 20' 30', Steel Snap Hook**

#GF-10920 20 ft  
#GF-10925 30 ft



**Bolt Hole Anchor**

#GF-00230



**G-Bolt Concrete Anchor**

#GF-00235



**Halo Web SRL, 11' Steel Snap Hook**

#GF-10900



**Double Diablo SRL-LE, 8', Steel Snap Hook**

#GF-11074



**GR6 Web SRL, Steel, 6', Snap Hook**

#GF-32000



**Vinyl-Coated Galvanized Cable Choker Anchor, 2-1/2" & 3" O-Ring Ends**

Item#	Size
GF-10450	3 ft
GF-10452	6 ft
GF-10450-8	8 ft



**Premium Cross-Arm Straps**

Item#	Length
GF-10785	3 Feet
GF-10787	6 Feet
GF-10790	10 Feet
GF-10792	15 Feet
GF-10793	20 Feet



**Series 1 Full Body Harness**

- Chest pass-through
- Leg tongue buckles

Item#	Size
GF-37004	XS - S
GF-37005	M - L
GF-37006	XL - XXL



**Series 3 Full Body Harness**

- Leg tongue buckles
- Waist Pad with side-D-rings

Item#	Size
GF-37192	XS - S
GF-37193	M - L
GF-37194	XL - XXL





For more information, request a 2023 Catalog or visit [midlandtool.com](http://midlandtool.com)



**MSDS Right to Know Tags, 25 pk**

#RTK-03



**Caution Barricade Black/Yellow Tag, 25 pk**

#VT-154



**Danger Highly Flammable Sign**

#D-375033



**Tagboard Danger Equipment Lockout Tag, 25 pk**

#TB-147



**Danger Barricade Tag, 25 pk**

#VT-1540CC



**Workers Working Above Danger Sign**

#D-460733

## RESPIRATORY PROTECTION



**2300 Series N95 Particulate Respirator with Valve, 10/Box**

#MO-2300



**4200 Series AirWave N95 Particulate Respirator, Medium/Large, 10/Box**

#MO-4200



**P100 High Efficiency Filter, 2 pk**

#MO-7940



**9000 Series Reusable Full Face Respirator Mask**

#MO-9002 Medium  
#MO-9003 Large



**7000 Series Half Face Respirator Mask**

#MO-7002 Medium  
#MO-7003 Large

## LOCKOUT TAGOUT



**Laminated Padlock Keyed Alike**

#1KA #1, 1-3/4"  
#5KA #5, 2"  
#1KALJ #1, 1-3/4" Long Shackle



**Anodized Aluminum Lockout Lock, 3" Shackle**

#A1107RED #A1107GRN  
#A1107BLU #A1107BLK  
#A1107YLW



**Thermoplastic Lockout Lock, 1-1/2" Shackle**

#410RED #410GRN  
#410BLU #410ORJ  
#410YLW #410BLK



**Metal Group Lockout Box**

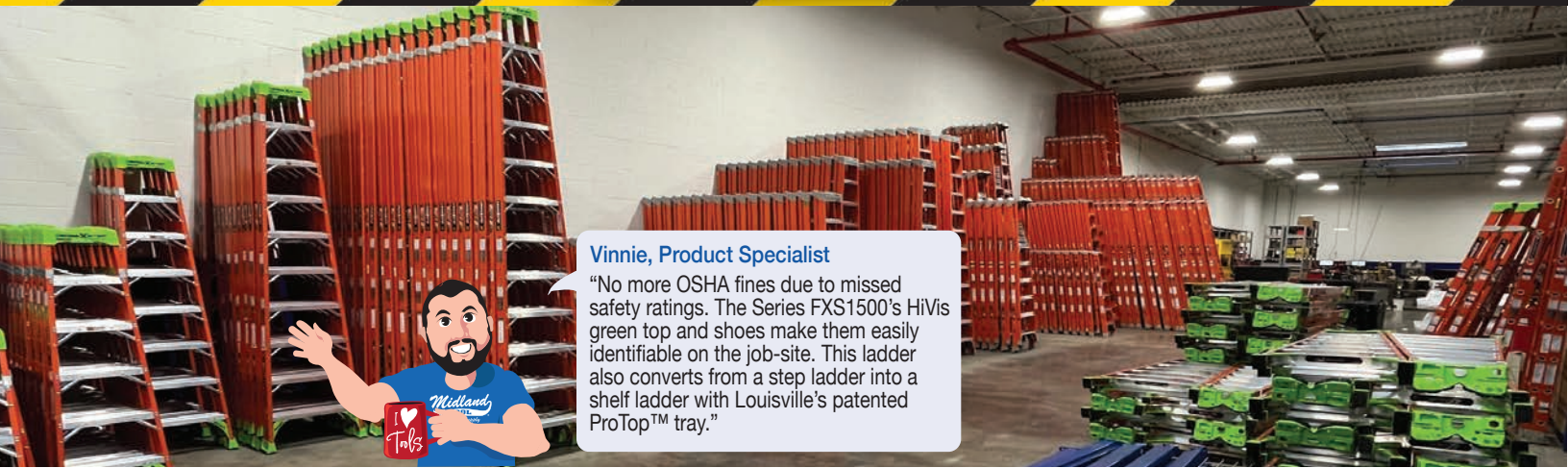
#498A



**Wall Mounted Lockout Station**

#S1850E410





**Vinnie, Product Specialist**  
 “No more OSHA fines due to missed safety ratings. The Series FXS1500’s HiVis green top and shoes make them easily identifiable on the job-site. This ladder also converts from a step ladder into a shelf ladder with Louisville’s patented ProTop™ tray.”

## SAFETY TIPS

Ladders are among the top causes of **OSHA** violations.

- They’re always in the **Top 10** of cost and occurrence violations.
- The average cost of an accident involving a ladder is **\$80,000**.
- The OSHA average cost of a fine is **\$1,500**.
- OSHA believes that **100%** of ladder accidents **can be prevented** if proper attention to the equipment and training were provided.



**Fiberglass Pinnacle Pro Platform Ladders Type 1A 300 lb Capacity**

Item #	Size	Weight
<b>FXP1704</b>	4 ft	24 lbs
<b>FXP1706</b>	6 ft	31 lbs
<b>FXP1708</b>	8 ft	48 lbs
<b>FXP1710</b>	10 ft	60 lbs
<b>FXP1712</b>	12 ft	73 lbs



**Cross Step Fiberglass Step Ladders Type 1A 300 lb Capacity**

Item #	Size	Weight
<b>FXS1504</b>	4 ft	15 lbs
<b>FXS1506</b>	6 ft	21 lbs
<b>FXS1508</b>	8 ft	28 lbs
<b>FXS1510</b>	10 ft	39 lbs
<b>FXS1512</b>	12 ft	48 lbs



**Fiberglass Step Ladders Type 1A 300 lb Capacity**

Item #	Size	Weight
<b>FSL04</b>	4 ft	14 lbs
<b>FSL06</b>	6 ft	20 lbs
<b>FSL08</b>	8 ft	26 lbs
<b>FSL10</b>	10 ft	38 lbs
<b>FSL12</b>	12 ft	46 lbs



**Fiberglass Extension Ladders Type 1A 300 lb Capacity**

Item #	Total Length	Length Ea. Section	Weight
<b>FEL16</b>	16 ft	8 ft	31 lbs
<b>FEL20</b>	20 ft	10 ft	42 lbs
<b>FEL24</b>	24 ft	12 ft	51 lbs
<b>FEL28</b>	28 ft	14 ft	60 lbs
<b>FEL32</b>	32 ft	16 ft	67 lbs
<b>FEL40</b>	40 ft	20 ft	92 lbs



**Fiberglass Trench/Manhole Ladders Type 1AA 375 lb Capacity**

Item #	Size	Weight
<b>FSL08-STRAIGHT</b>	8 ft	17.5 lbs
<b>FSL10-STRAIGHT</b>	10 ft	21 lbs



**Fiberglass Straight Ladders w/ Safety Shoes Type 1A 300 lb Capacity**

Item #	Size	Wgt.
<b>FE3108-STRAIGHT</b>	8 ft	16 lbs
<b>FE3110-STRAIGHT</b>	10 ft	21 lbs
<b>FE3112-STRAIGHT</b>	12 ft	25 lbs



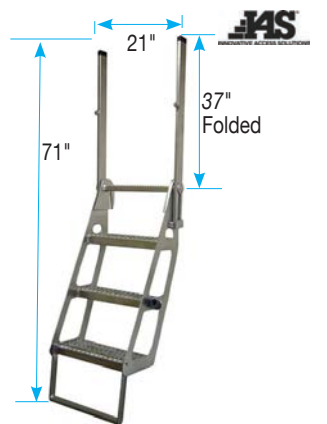
**Fiberglass Work Stand Type 1A 300 lb Capacity**

Item #	Size
<b>TW6203</b>	3 ft



**PJ-Unit Stackable Scaffolding 1,000 lb Cap.**

Item #	Size
<b>0127-006-0</b>	6 ft
<b>0127-008-0</b>	8 ft



**Semi-Truck Flat Bed Safety Ladder 375 lb Capacity**

- #1-6900**
- USA Made
  - OSHA Compliant





## Passive Welding Helmet

- Multiple mount options
- 2" x 4-1/4" lift front

Item #	Description
JP-HSL2-187S	Blade Mount for Hard Hat
JP-HSL-2	Head Mount
JP-HSL2-386	Spring Cap Mount



## Bulldog™ Safety Glasses, Gray

#EHB20S



## Bulldog™ Safety Glasses, Clear

#EHF10S



## Eyesaline® Emergency Eye/Face Wash, 2 Bottle Wall Station, 32 oz Bottles

#SS0032



## Disposable Lens Cleaning Station, 1,200 Tissues, 16 oz Lens Cleaner Spray

#SS0102



## First Aid Kit, Metal, ANSI Class B, 100 Person

#SS0097



## First Aid Kit w/ Eye Wash, Plastic, 10 Person

#SS0098



## First Aid Kit, Plastic, ANSI Class A, 25 Person

#SS0100



## First Aid Kit, Metal, ANSI Class A, 50 Person

#SS0101



## MaxiFlex® Ultimate™ Seamless Knit Nitrile Coated Gloves, ANSI A1, Grey/Black

Item #	Size
34-874/XS	X-Small
34-874/S	Small
34-874/M	Medium
34-874/L	Large
34-874/XL	X-Large
34-874/XXL	XX-Large



## ExtraFlex Foam Nitrile Coated Cut-Resistant Gloves, ANSI A3, Vi-His Yellow

Item #	Size
04-300HV/S	Small
04-300HV/M	Medium
04-300HV/L	Large
04-300HV/XL	X-Large
04-300HV/XXL	XX-Large



## ProFlex 7041 Nitrile-Coated Cut-Resistant Gloves, ANSI A4, Hi-Vis Lime

Item #	Size
ER-17813	Medium
ER-17814	Large
ER-17816	X-Large
ER-17817	XX-Large





## CUSTOMIZE YOUR PPE

- **INTERACTIVE** Real-Time Design
- **ADD YOUR LOGO** Most File Types Accepted
- **EASY ORDERING** with No Added Fees



**Safety Helmet Type 2 Unvented Class E**

#48-73-1301



**Safety Helmet Type 2 Vented Class C**

#48-73-1310

AVAILABLE COLORS



## BOLT™ ACCESSORIES



**Front Brim Type 1 Class C Hard Hat, Vented**  
#48-73-1001

**Front Brim Type 1 Class E Hard Hat, Unvented**  
#48-73-1021



**BOLT™ Sunshade**  
#48-73-1070

**BOLT™ Sun Visor**  
#48-73-1073



**BOLT™ Clear Eye Visor**  
#48-73-1410

**BOLT™ Clear Eye Visor, Dual Coat Lens**  
#48-73-1411



**BOLT™ Tinted Eye Visor**  
#48-73-1415

**BOLT™ Tinted Eye Visor, Dual Coat Lens**  
#48-73-1416



**BOLT™ Marker Clip**  
#48-73-1086



**BOLT™ Headlamp Mount**  
#48-73-1090



**BOLT™ Full Face Shield, Clear**  
#48-73-1420

**BOLT™ Full Mesh Face Shield**  
#48-73-1430



**BOLT™ Full Face Shield Mount Replacement**  
#48-73-1448

**BOLT™ Eye Visor Mount Replacement**  
#48-73-1458



**BOLT™ REDLITHIUM™ USB Headlamp**  
#2118-21



**BOLT™ Earmuffs**  
#48-73-3250

# HEAT STRESS



**Hard Hat Sun Shade, Blue**

#898-BLUE



**Miracool® Hard Hat Pad**

#RHFUB968



**Chill-Its® 6615 High Performance Dew Rag, Stars & Stripes**

#E12477



**Chill-Its® 6660 Hard Hat Brim w/ Sun Shade, Hi-Vis Orange**

#ERG-12641



**Chill-Its® 6602 Evaporative Cooling Towel, 13" x 29.5"**

#E12420



**Chill-Its® 6603 Evaporative Cooling Band, 4" x 29.5"**

#ER-6603



**3-Speed Box Fan, 20"**

#SS0004



**High Velocity 20" Floor Fan**

#2264QM



**Classic Folding Picnic Table**

#PICTBL



**Max Cold Cooler, 150 Quart #307148**  
**Rolling Cube Cooler, 60 Quart #285465**



**Heat Stress Beverage Dispensers / Coolers**  
#48153 5 Gallons  
#00048154 10 Gallons



**SHAX® 6010 Lightweight Pop-Up Tent, 10' x 10'**  
#12910

## OSHA HEAT STRESS NATIONAL ENFORCEMENT PROGRAM

### NEP RESOURCES

Read the NEP and the NEP Fact Sheet at [ohsa.gov](http://ohsa.gov)

Consider cooling products to prevent heat illness!



**Bottled Water, Case**

- (24) 10 oz bottles per case
- (126) cases per pallet

#PREASW



**Fast Pack® Single Serve Liquid Concentrate Drink Mix Packets, Case**

- #SQ015300 Mixed Berry
- #SQ015302 Grape
- #SQ015303 Lemonade
- #SQ015304 Orange
- #SQ015305 Fruit Punch
- #SQ015308 Lemon-Lime
- 200 packets per case
- Each packet yields (1) 6 oz serving
- The pack is your cup! Just add water.



**Qwik Stik® ZERO Powder Drink Mix, Case**

- #SQ060200 Orange
- #SQ060201 Mixed Berry
- #SQ060202 Fruit Punch
- #SQ060203 Lemonade
- #SQ060204 Grape
- 500 packets per case
- Each packet yields (1) 10 oz serving



**Sqwincher® Squeeze® Electrolyte Freezer Pops, Case**

- #SQ159200201
- (150) 3 oz pops per case
- Assorted flavors: Cherry, grape, lemon-lime, mixed berry & orange



**Liquid Concentrate Drink Mix, Case**

- #SQ030322 Grape
- #SQ030323 Lemonade
- #SQ030324 Orange
- #SQ030325 Fruit Punch
- #SQ030328 Lemon-Lime
- #SQ030329 Tropical Cooler
- (6) 64 oz bottles per case
- Each bottle yields 5 gallons







## DELIVERING EXACTLY WHAT YOU NEED, WHEN AND WHERE YOU NEED IT.

Midland Tool & Supply and Superior Tool Rental & Repair work together to provide high quality products, rentals, equipment repair and several unique services to jobsites across the nation. Our companies are headquartered in Oak Park, Michigan (Greater Detroit), with a branch office in Calumet City, Illinois (Greater Chicago) and Madison, Illinois (Greater St. Louis). Each of our locations have meeting space for important conversations with customers and vendors, a dedicated fleet of delivery vehicles, and warehouse space to keep over 10,000 products and rentals in immediate supply.



Greater Detroit



Greater Chicago



Greater St. Louis



Over 10,000 Products & Rentals



Industrial Tool & Equipment Rental



Delivery Via Private Fleet or FedEx



24/7 – 365 Emergency Service & Delivery



StockUp™ Onsite Supply



Onsite Bolting Services



Product & Rental Demo Trailers



Onsite Weld Testing Facilities



Customer Repair & Warranty Service Center



Calibration, Testing & Certification



Product & Rental Demo Trailer



Onsite Bolting Services & Calibration



Onsite StockUp™ Tool Trailers and Connexes



Call to Order 877.446.4352



midlandtool.com superiorrental.com

